

GUIDE ROLLS FOR BELT CONVEYOR



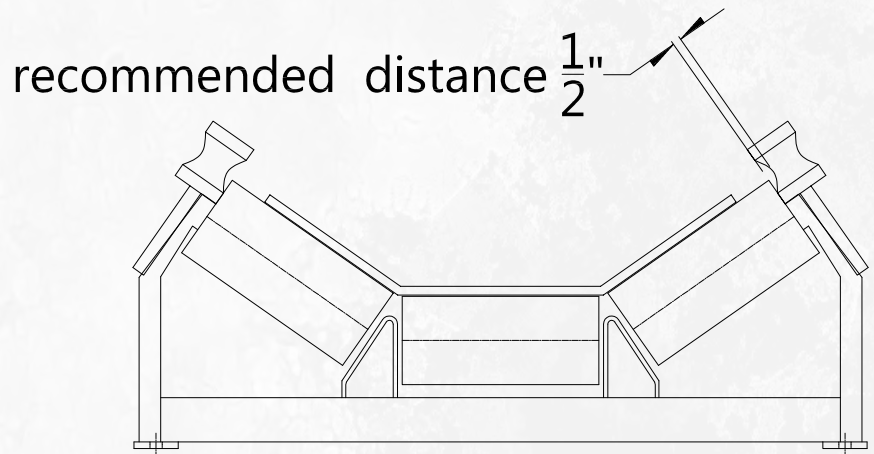
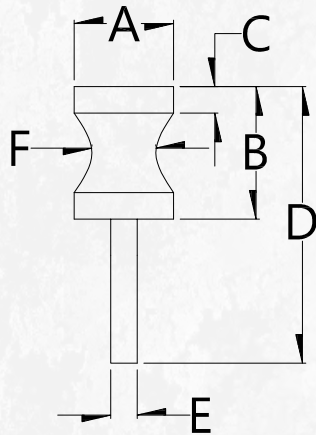
Heavy duty urethane guide rolls for belt conveyor. They are used to keep the belt in line with the conveyor while running without damaging the edge of the belt.

Sturdy duro 90 urethane rolls, mounted on two sealed ball bearings and steel shaft. Optional threaded or stainless steel shafts are available.

Available in wide variety of models and dimensions to fit all your needs. Rolls are usually installed perpendicular to the belt. See table on the reverse page.

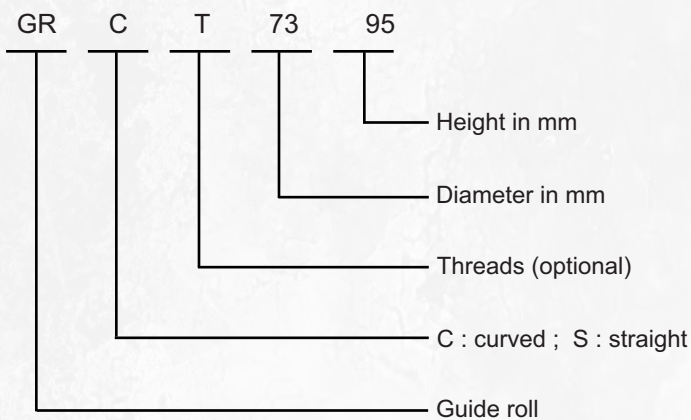
We can also provide custom rolls as per your request or cover existing rolls

DIMENSIONS



MODEL	SHAPE	F	B	C	D	E	A
GRCT 7395		1 ¹³ / ₁₆ "	3 ³ / ₄ "	3/4"	9 ³ / ₈ "	3/4" Ø	2 ¹³ / ₁₆ " Ø
GRCT 8090		2 ¹ / ₈ "	3 ⁵ / ₈ "	1/2"	8 ⁵ / ₁₆ "	3/4" Ø	3 ¹ / ₈ " Ø
GRC 9095		2 ⁵ / ₈ "	3 ³ / ₄ "	1"	8 ⁵ / ₁₆ "	3/4" Ø	3 ¹ / ₂ " Ø
GRC 150 145		4 ⁷ / ₈ "	5 ¹¹ / ₁₆ "	1 ¹ / ₈ "	10 ³ / ₁₆ "	1" Ø	6" Ø
GRS 9095		N/A	3"	N/A	6 ¹ / ₄ "	3/4" Ø	2 ³ / ₈ " Ø
GRS 6280		N/A	3 ³ / ₄ "	N/A	8 ⁵ / ₁₆ "	3/4" Ø	3 ¹ / ₂ " Ø

TO ORDER



OPTIONAL SUPPORT



STRAIGHT



ANGLE