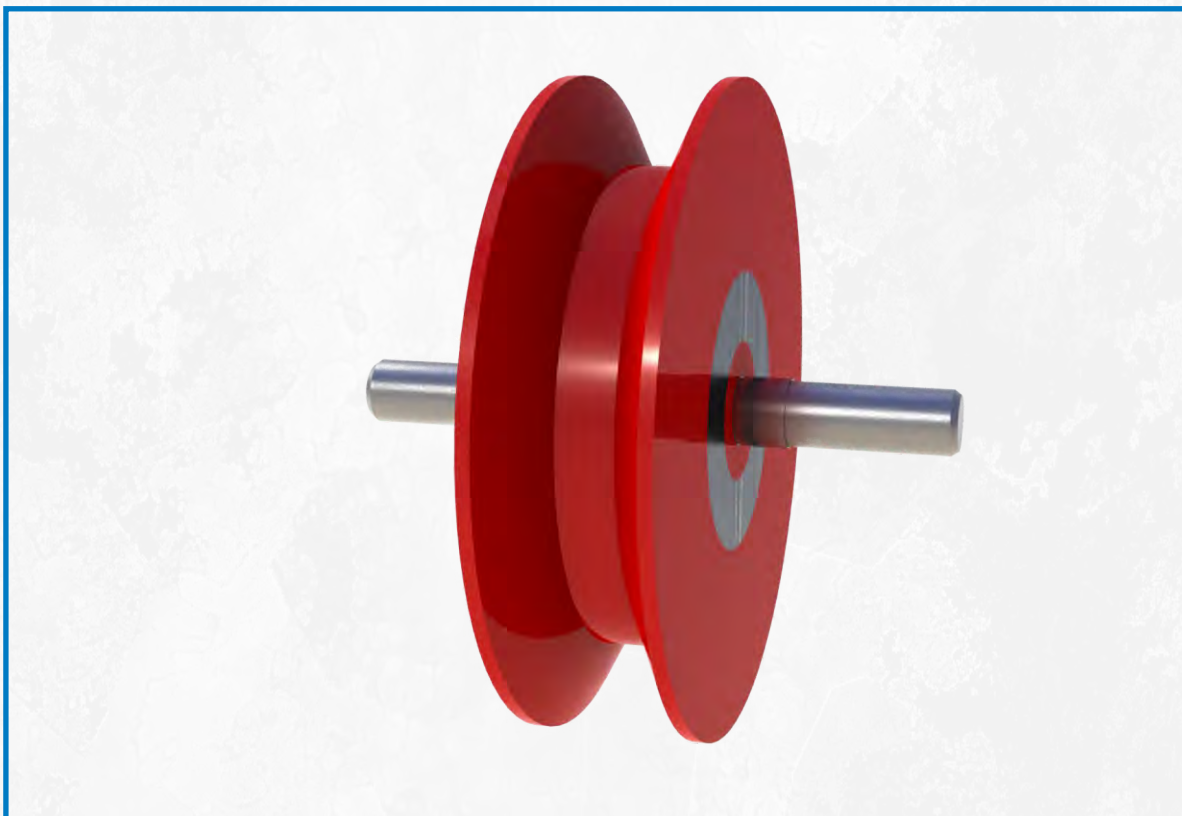


GUIDE WHEEL FOR CORRUGATED WALL BELT



Guiding wheel for corrugated side wall belt or similar belt. Installed on both sides, it will keep the belt tracking in the conveyor axle avoiding belt damage.

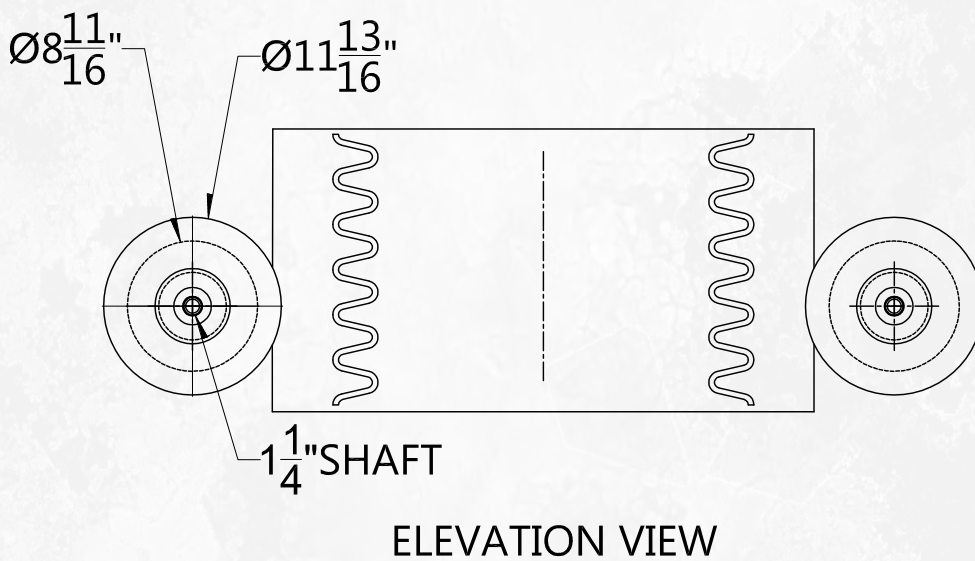
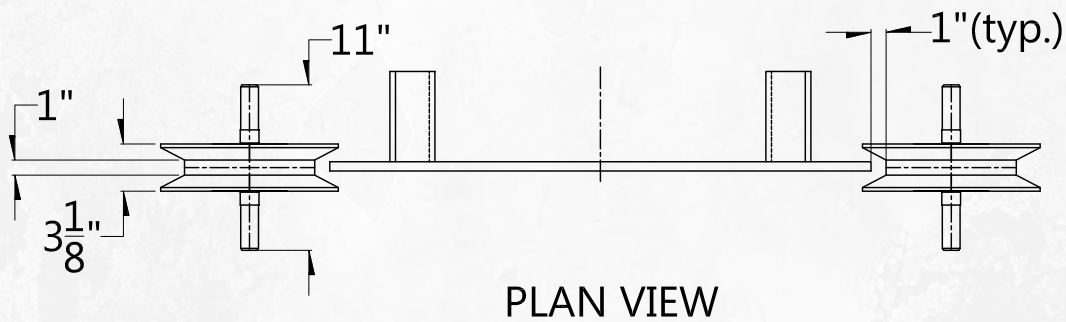


Sturdy construction using two sealed bearings mounted on 1 1/4" steel or stainless steel shaft. Optional threaded or extended shaft are available.

Because of there big diameter, these rolls operated at low rpm for a longer operating life.

They can be mounted on optionnal sturdy supports on directly on pillow block depending of your design.

DIMENSIONS:



TO ORDER:

RG-3008030

TYPICAL APPLICATION:

